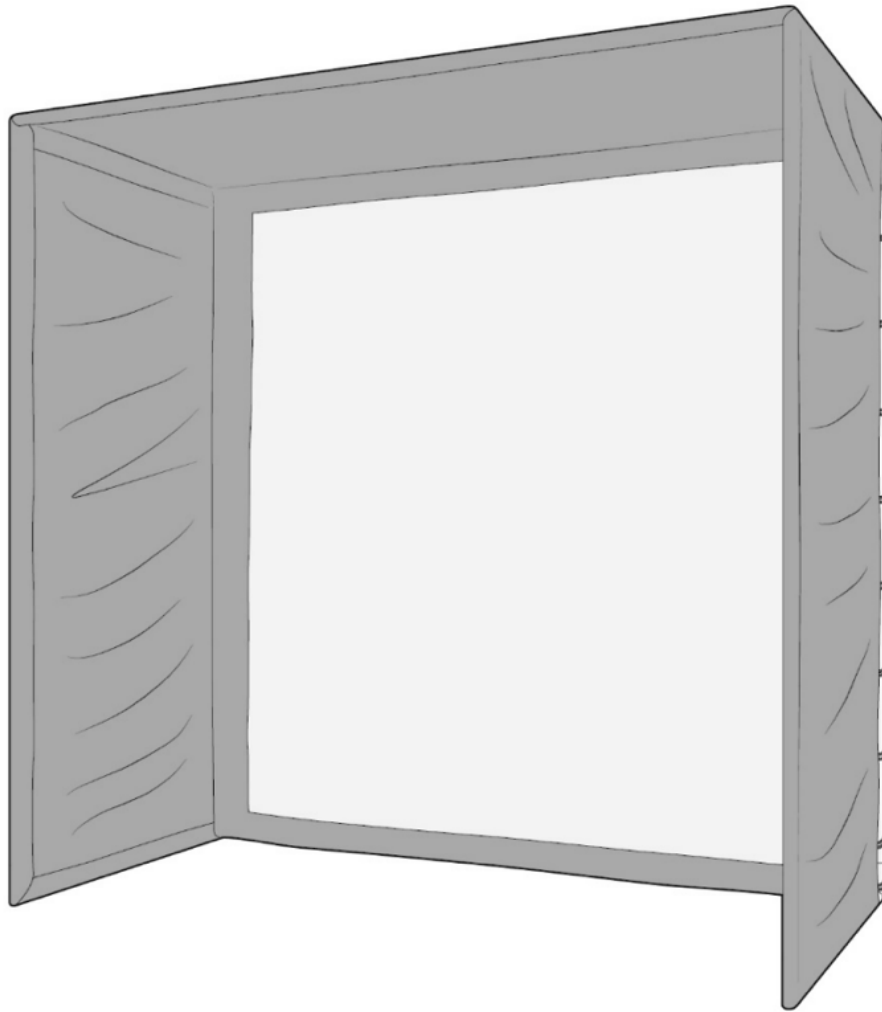


DIY ENCLOSURE

Imperial - 9'(H) x 12'(W) x 5'(D)

Metric - 2.74m(H) x 3.65m(W) x 1.5m(D)



KIT INCLUDES:

- 1 x 3-layer impact resistant polyester premium Impact Screen
- 1 x Black Nylon enclosure cover
- Bundle of bungee balls
- 1 x Weighted bag floor attachment
- 1 x Aluminium colour coded poles

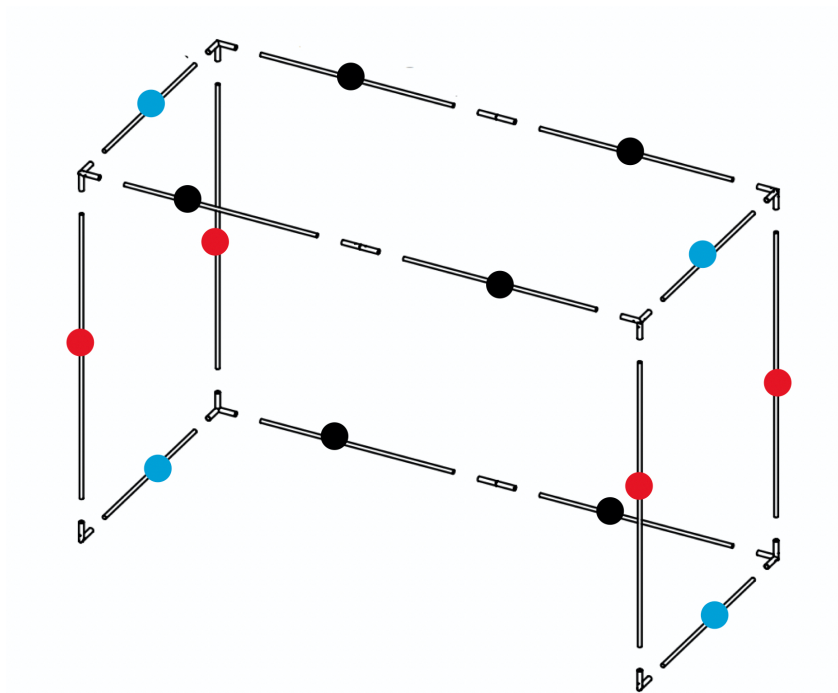
INSTRUCTIONS

TOOLS ADVISED

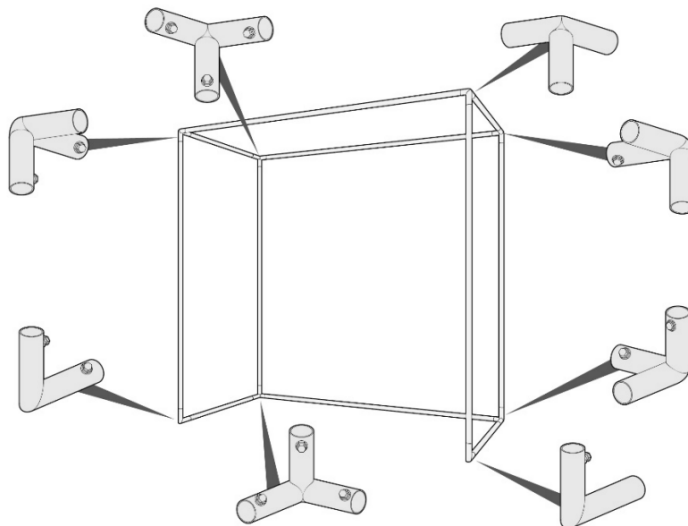
- Socket set, or spanner for fitting the frame to the corners.
- 4 step ladder

STEPS

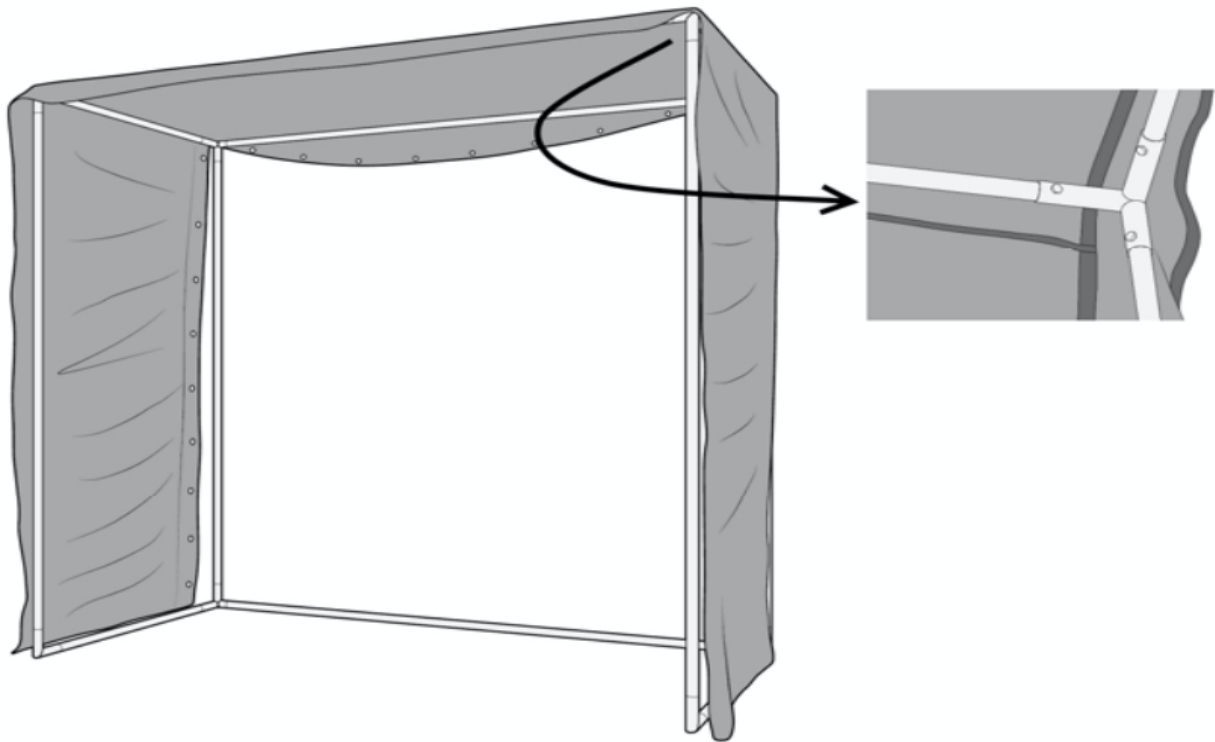
1. Lay the poles out as showing in the colour code below



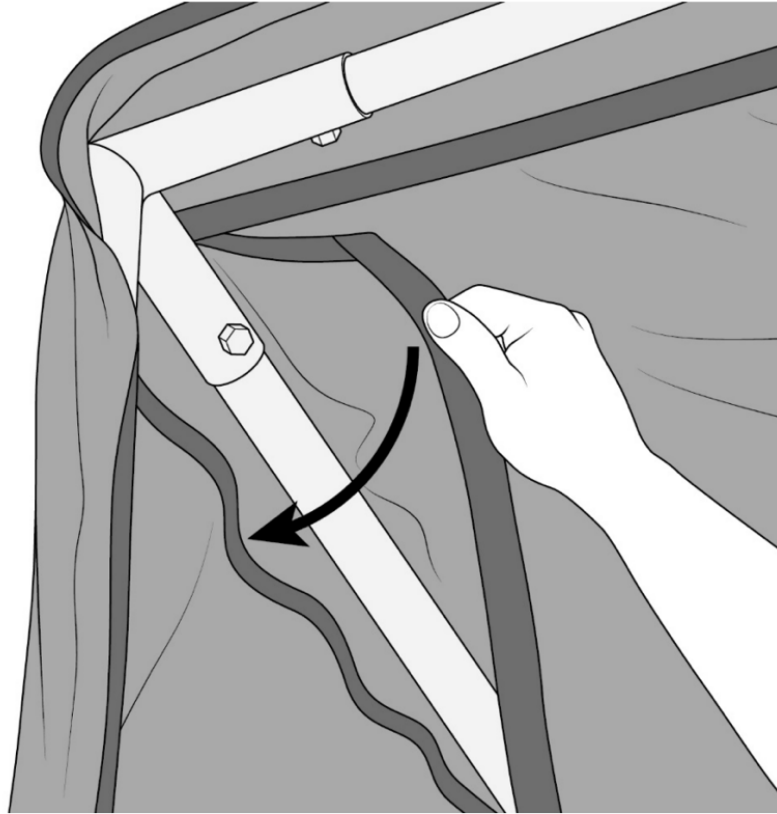
2. Lay corner fittings out as shown below



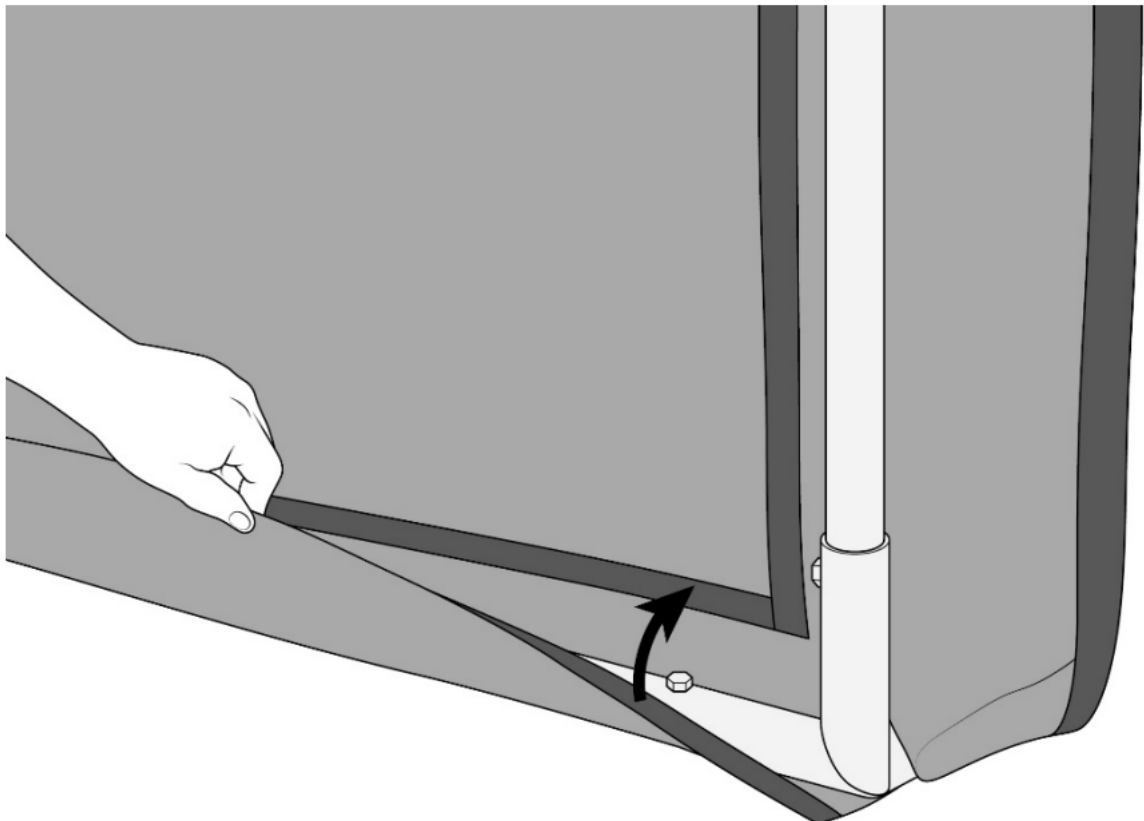
3. *Connect all and tighten bolts*
4. *Unfold the fabric cover and place it over the top of the completed frame.*
 - a. *Make sure the edge with holes in are at the back of the frame where the screen will be attached to.*



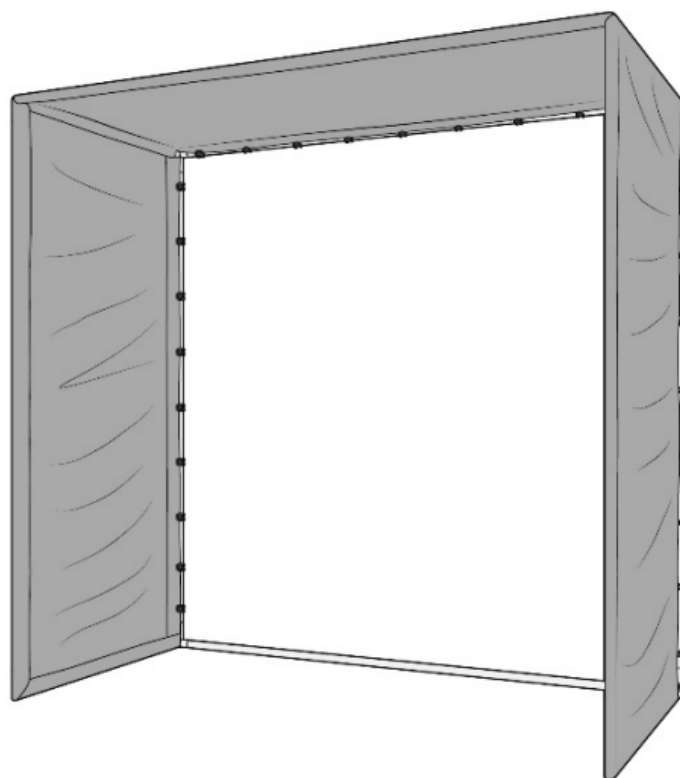
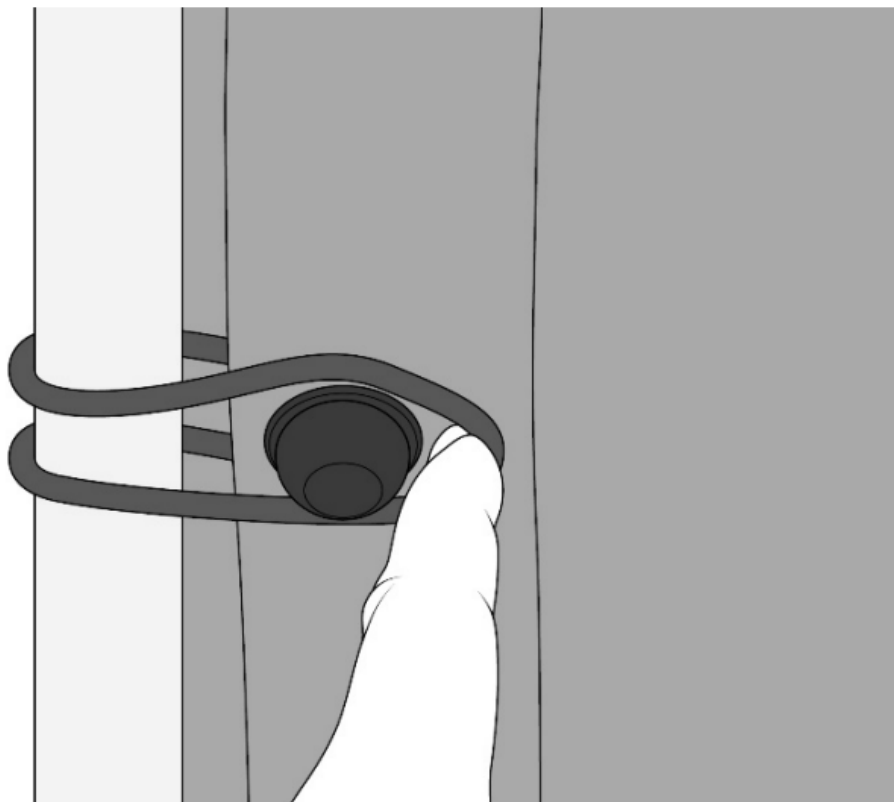
5. Make sure the Velcro strips that run from the front to the back are on the inside of the cover, these will be attached to the top of the sides.



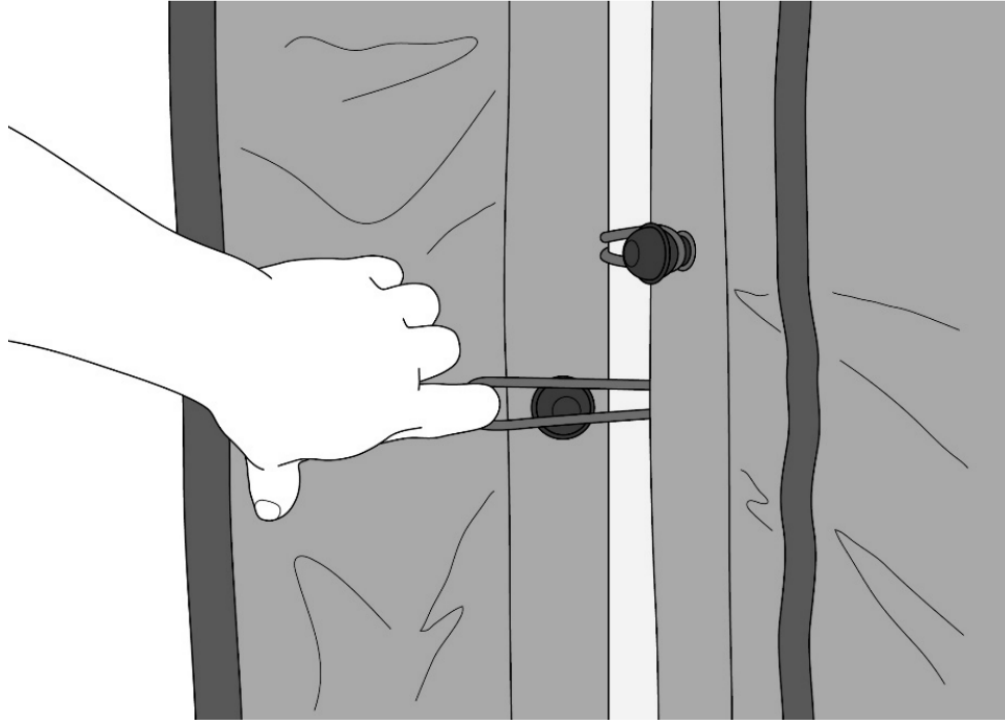
6. Attach bottom, top and side flaps



7. *Install enclosure onto frame as shown below*



8. Attached Impact screen in the same method as the enclosure. **The impact screen should be mounted with the flaps on the inside of the enclosure.** Start by attaching bungees in each of the four corners to center the screen on the frame.



9. The remaining bottom flap will be secured to the floor with the weighted sand snake.

